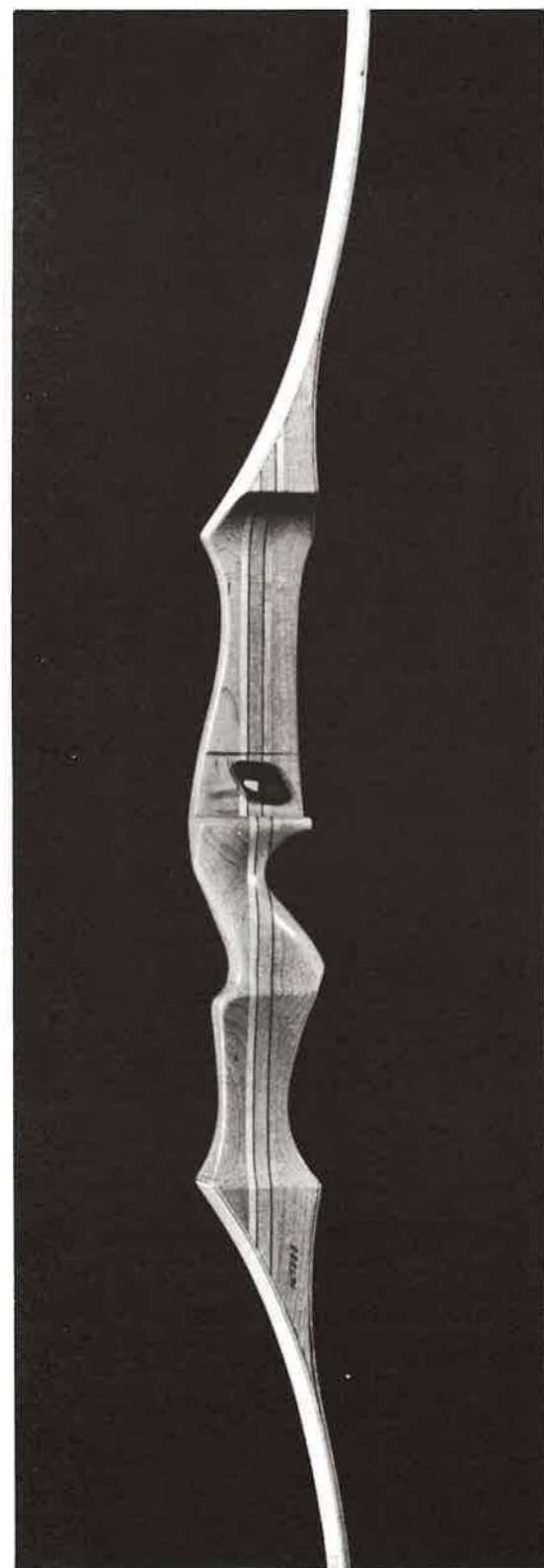


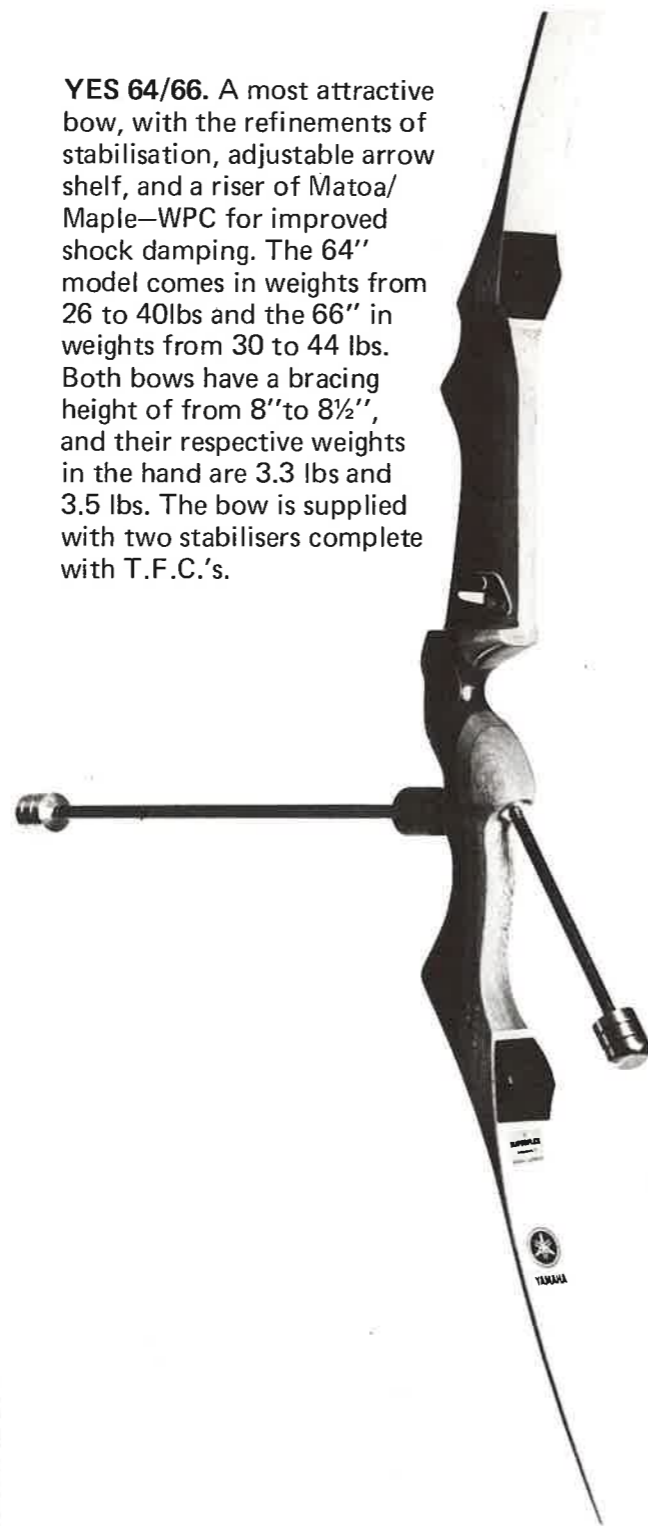
**YAMAHA  
YC 66**



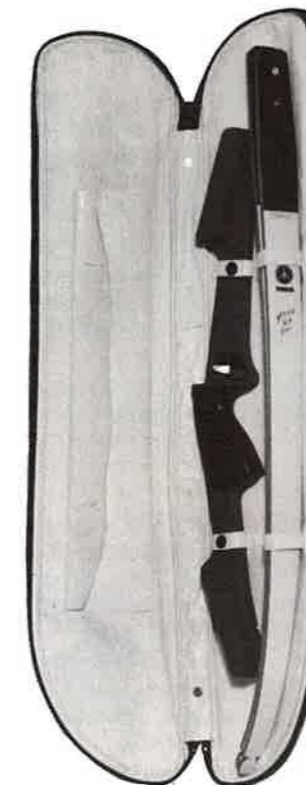
**YC66.** A middle price quality composite that displays a particularly attractive riser section with a slender medium pistol grip handle. Made only in a 66" and in weights from 26 to 40lbs, the weight in hand is 2.2 lbs and the bracing height is from 8½ to 8¾". There are no stabiliser bushes.

**YES 64/66**

**YES 64/66.** A most attractive bow, with the refinements of stabilisation, adjustable arrow shelf, and a riser of Matoa/Maple-WPC for improved shock damping. The 64" model comes in weights from 26 to 40lbs and the 66" in weights from 30 to 44 lbs. Both bows have a bracing height of from 8" to 8½", and their respective weights in the hand are 3.3 lbs and 3.5 lbs. The bow is supplied with two stabilisers complete with T.F.C.'s.



**YAMAHA YA 62 and YTS**



The YA 62 is a very excellent bow for junior, ladies, or instructional purposes. The riser is of cast aluminium with a black crackle finish, and the limbs are a full laminate of Rock Maple and fibreglass. We would stress that this bow is not a take apart and no attempt should be made to detach the limbs. Available as a 62" bow in weights of either 20, 25, or 30lbs, with a weight in hand of 2lbs and a bracing height of 8½" to 9".

The YTS is a very elegant take-down bow that comes complete with a smart carrying case. Made in weights up to 36lbs and in a length of 64", this bow will appeal to the lady who does not like a lot of weight in the hand. Excellent cast and stability from a neat and simple system. Bracing height of 8" to 8½".

**YTD 64/66/68. (not illustrated)**

A high quality take-down that features a simple snap lock limb system into a precision vacuum cast magnesium riser. This bow is exceptionally fast and maintains a good grouping characteristic at all distances. The bow is supplied complete with a smart, foam lined, carrying case, and the riser has an adjustable arrow plate as standard, as well as being bushed for long rod stabiliser, internal stabiliser, two inner counterbalance weights, and for a sight adaptor. The limb fittings are tapped to accept twin rods.

The 64" version is available in weights from 26lbs to 40lbs, the 66" in weights from 26lbs to 44lbs, and the 68" in weights from 34lbs to 44lbs. Weight in the hand is as follows: 64" is 3.0lbs, 66" is 3.2lbs, and 68" is 3.5lbs.